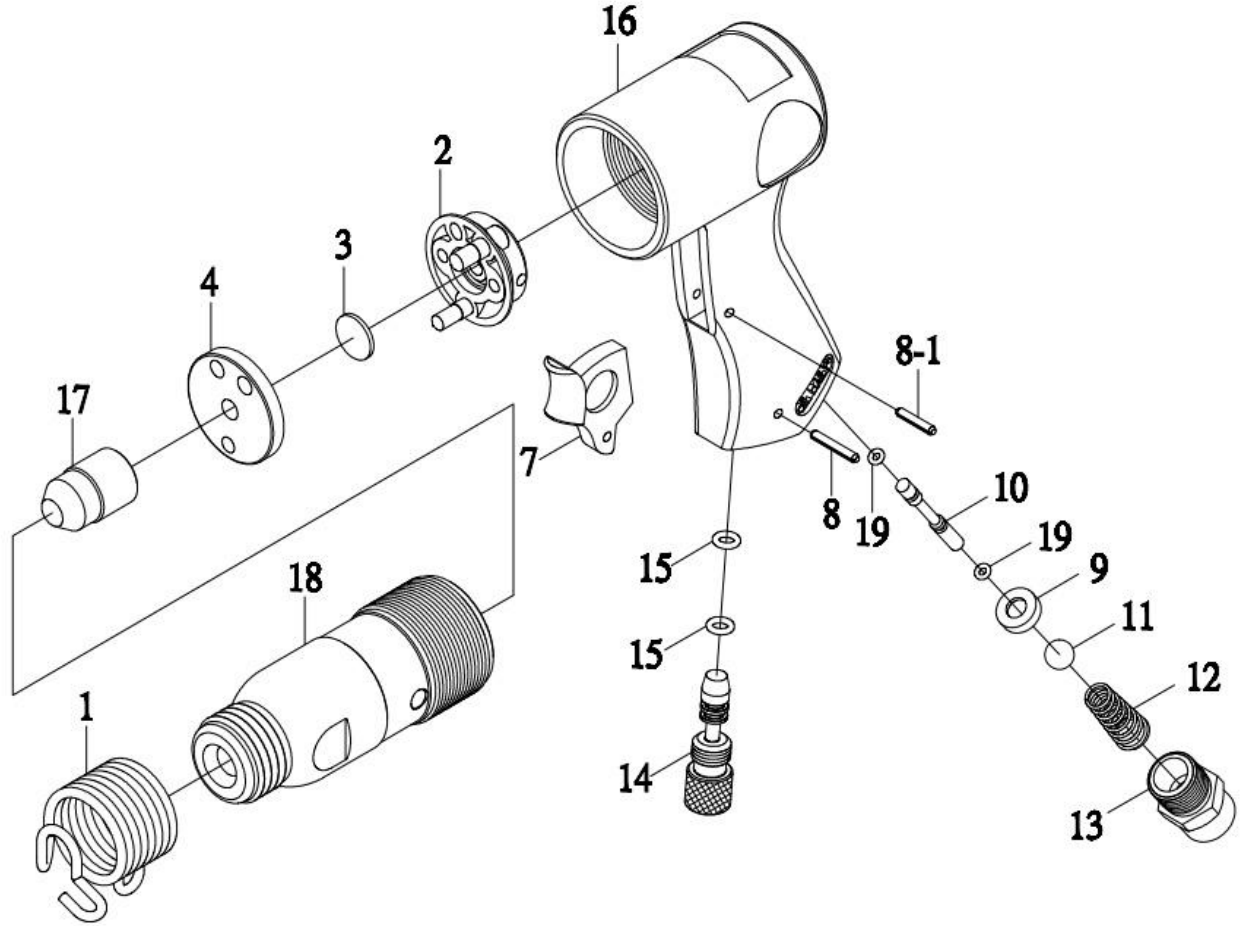


OS-243HK **GAV** HAVALI ÇEKİÇ 150 MM



Item No.	Description	Q'ty	Item No.	Description	Q'ty
1	RETAINER SPRING	1	11	STEEL BALL	1
2	UPPER VALVE ASS'Y	1	12	SPRING	1
3	VALVE DISC	1	13	INLET BUSHING	1
4	LOVER VALVE SEAT	1	14	REQULATOR	1
7	TRIGGER	1	15	O-RING	2
8	SPRING PINT (Ø3x20L)	1	16	HANDLE	1
8-1	SPRING PINT (Ø3x16L)	1	17	PISTON	1
9	BALL SEAT	1	18	CYLINDER - HEX (10mm)	1
10	PUSH ROD	1	19	O-RING	2